

# Indian Institute of Technology Kanpur

Date: - 13/01/2015

Corrections made as mentioned below: 19/01/2015

Revised Enquiry No.:- ME/AC/364\_19\_2015

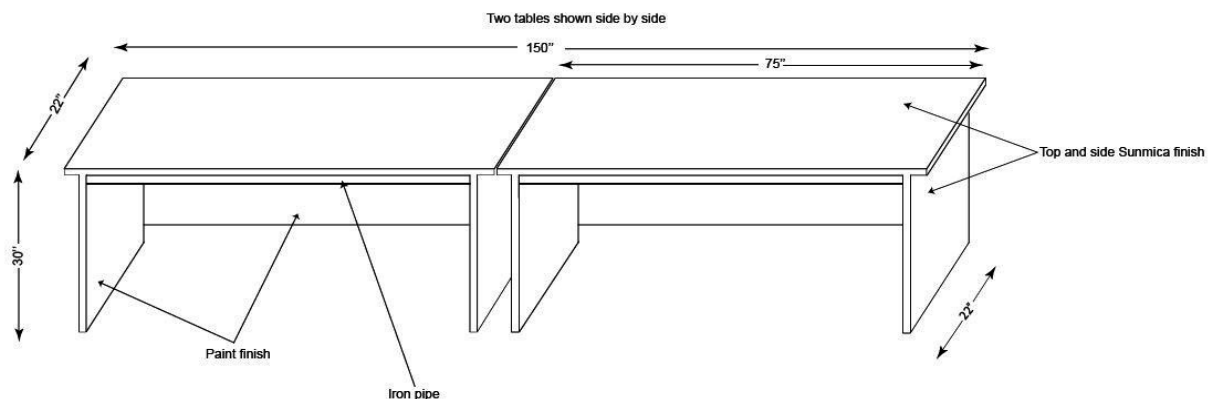
Anindya Chatterjee  
Professor  
Department of Mechanical Engineering  
IIT Kanpur-208016  
Email- [anindya@iitk.ac.in](mailto:anindya@iitk.ac.in)  
Ph. No. 9044422869

Sub: Quotations for seminar room wooden tables

Quotations are invited for Mechanical Engineering Department Furniture.

Furniture Specification:-

1. Ten tables are required. They will sit side by side, so they must be matched well.
2. Dimensions: 75" long, 22" wide, 30" high. (The width was earlier incorrectly written as 20", but should be 22" as in the drawing.)
3. Surface (top, sides, and back): 0.8 mm Sunmica (dark brown color, to be specified from catalog).
4. Surface (inside and bottom): smooth paint finish, same color
5. Board material: Galaxy ISI mark, thickness 19 mm. (The thickness was not mentioned earlier, and is now mentioned.)
6. Edges: teak wood beading.
7. Front of table, underside, 4 cm square steel pipe for support, painted same color
8. Overall as per drawing given below.



Terms and conditions:

- Quoting firms will show the raw material for tables before construction and polishing.

- Validity of quotation should be at least for 60 days.
- Price should be on FOR IIT Kanpur.
- Institute is exempted for payment of Excise Duty under notification No. 10/97.
- Warranty/Guarantee should be clearly mentioned.
- Payment terms – 100% payment after satisfactory delivery.
- The delivery time should be specifically stated. Earlier delivery may be preferred.
- The institute reserves the right to withhold placement of final order, the right to reject all or any of the quotations, and to split up the requirements or relax any or all of the above conditions, without assigning any reason thereof.

The quotations in sealed envelope (mentioning enquiry No. on envelope) should reach the Head, Department of Mechanical Engineering, IIT Kanpur, 208016.

The deadline for submission of quotations is January 23, 2015. (This was earlier January 21, but is extended because of the minor corrections made above.)

Thank you.

Anindya Chatterjee